

# Каталог продукции MAXX ICE

По вопросам продаж и поддержки обращайтесь:

Алматы (727)345-47-04  
Ангарск (3955)60-70-56  
Архангельск (8182)63-90-72  
Астрахань (8512)99-46-04  
Барнаул (3852)73-04-60  
Белгород (4722)40-23-64  
Благовещенск (4162)22-76-07  
Брянск (4832)59-03-52  
Владивосток (423)249-28-31  
Владикавказ (8672)28-90-48  
Владимир (4922)49-43-18  
Волгоград (844)278-03-48  
Вологда (8172)26-41-59  
Воронеж (473)204-51-73  
Екатеринбург (343)384-55-89

Иваново (4932)77-34-06  
Ижевск (3412)26-03-58  
Иркутск (395)279-98-46  
Казань (843)206-01-48  
Калининград (4012)72-03-81  
Калуга (4842)92-23-67  
Кемерово (3842)65-04-62  
Киров (8332)68-02-04  
Коломна (4966)23-41-49  
Кострома (4942)77-07-48  
Краснодар (861)203-40-90  
Красноярск (391)204-63-61  
Курск (4712)77-13-04  
Курган (3522)50-90-47  
Липецк (4742)52-20-81

Магнитогорск (3519)55-03-13  
Москва (495)268-04-70  
Мурманск (8152)59-64-93  
Набережные Челны (8552)20-53-41  
Нижний Новгород (831)429-08-12  
Новокузнецк (3843)20-46-81  
Ноябрьск (3496)41-32-12  
Новосибирск (383)227-86-73  
Омск (3812)21-46-40  
Орел (4862)44-53-42  
Оренбург (3532)37-68-04  
Пенза (8412)22-31-16  
Петрозаводск (8142)55-98-37  
Псков (8112)59-10-37  
Пермь (342)205-81-47

Ростов-на-Дону (863)308-18-15  
Рязань (4912)46-61-64  
Самара (846)206-03-16  
Санкт-Петербург (812)309-46-40  
Саратов (845)249-38-78  
Севастополь (8692)22-31-93  
Саранск (8342)22-96-24  
Симферополь (3652)67-13-56  
Смоленск (4812)29-41-54  
Сочи (862)225-72-31  
Ставрополь (8652)20-65-13  
Сургут (3462)77-98-35  
Сыктывкар (8212)25-95-17  
Тамбов (4752)50-40-97  
Тверь (4822)63-31-35

Тольятти (8482)63-91-07  
Томск (3822)98-41-53  
Тула (4872)33-79-87  
Тюмень (3452)66-21-18  
Ульяновск (8422)24-23-59  
Улан-Удэ (3012)59-97-51  
Уфа (347)229-48-12  
Хабаровск (4212)92-98-04  
Чебоксары (8352)28-53-07  
Челябинск (351)202-03-61  
Череповец (8202)49-02-64  
Чита (3022)38-34-83  
Якутск (4112)23-90-97  
Ярославль (4852)69-52-93

Россия +7(495)268-04-70

Казахстан +7(727)345-47-04

Беларусь +(375)257-127-884

Узбекистан +998(71)205-18-59

Киргизия +996(312)96-26-47

эл.почта: [mex@nt-rt.ru](mailto:mex@nt-rt.ru) || сайт: <https://maxx-ice.nt-rt.ru/>



Maxx Ice quality constructed ice machines are designed for simplicity and engineered with advanced technology for optimum performance.

Maxx Ice modular and self-contained ice machines are ideal for foodservice, hospitality, residential, office or retail, convenience store, entertainment, healthcare, and beverage service applications. Our product line offers models producing ice ranging from 15 lbs. up to 1000 lbs. of ice per day. In addition, Maxx Ice offers storage bins, compact refrigeration, dispensers, wine coolers and beverage centers, as well as water filtration.



A DIVISION OF  
THE LEGACY COMPANIES

# TABLE OF CONTENTS



ICE USAGE APPLICATION ..... 3

CHOOSE YOUR ICE TYPE..... 4

SELF-CONTAINED ICE MACHINES ..... 5

MODULAR ICE MACHINES..... 8

INTELLIGENT SERIES SELF-CONTAINED ICE MACHINES ..... 9

INTELLIGENT SERIES MODULAR ICE MACHINES..... 11

V-SERIES ECONOMICAL COMMERCIAL ICE MACHINES & DISPENSERS ..... 12

RESIDENTIAL/COMMERCIAL ICE MACHINES & DISPENSERS ..... 15

ICE STORAGE BINS ..... 17

BIN COMPATIBILITY..... 19

PREMIUM WATER FILTERS..... 20

VALUE WATER FILTERS ..... 21

COMPACT REFRIGERATION ..... 22

WINE COOLERS & BEVERAGE CENTERS ..... 24



## ICE USAGE APPLICATION

### Foodservice > Ice Needs Per Day

- Restaurant ..... 1½ to 2 lbs. per person
- Cocktail..... 3 to 5 lbs. per person/seat
- Water Glass ..... 4 oz. per 10 oz. glass
- Salad Bar ..... 30 lbs. per cubic foot
- Fast Food ..... 5 oz. per 7-10 oz. drink  
8 oz. per 12-16 oz. drink  
12 oz. per 18-24 oz. drink

### Hospitality > Ice Needs Per Day

- Guest Ice ..... 5 lbs. per room
- Restaurant ... 1½ to 2 lbs. per person/seat
- Cocktail..... 3 to 5 lbs. per person/seat
- Catering..... 1 lb. per person

### Residential/Office/Retail > Ice Needs Per Day

Refer to "How to Choose an Ice Machine"

### Convenience Store > Ice Needs Per Day

- Beverage ..... 5 to 6 oz. per 12 oz. drink  
8 to 10 oz. per 20 oz. drink  
12 to 16 oz. per 32 oz. drink
- Packaged Ice ..... lbs. per bag  
"x" bags sold per day

### Entertainment > Ice Needs Per Day

- Restaurant ..... 1½ to 2 lbs. per person
- Cocktail..... 3 to 5 lbs. per person/seat

### Healthcare > Ice Needs Per Day

- Bed..... 6 lbs. per bed
- Employee ..... 2 lbs. per person
- Cafeteria ..... 1 lb. per person

### Beverage Service > Ice Needs Per Day

- Cafeteria ..... 1 lb. per bed
- Drinks ..... 40% ice per drink;  
"x" number of drinks  
served on peak day



#### HOW TO CHOOSE AN ICE MACHINE:

- A. Choose your ice type
- B. Use the calculator to determine which ice machine works best for your business

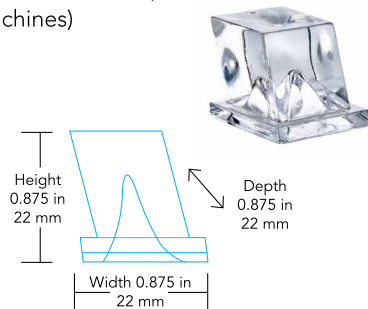
$$\begin{array}{r}
 \text{Lbs. of ice used} \\
 \times \quad \text{Number of} \\
 \text{customers served} \\
 \hline
 = \quad \text{The size of} \\
 \text{ice machine you need}
 \end{array}$$

# CHOOSE YOUR ICE TYPE



## Full Dice Cube - hard, full dice shape (Undercounter Ice Machines)

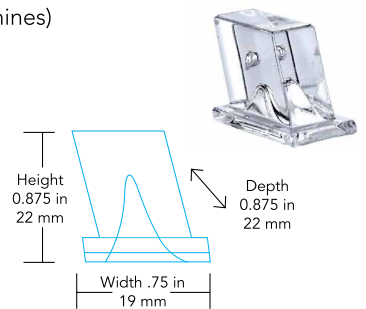
- MIM50 Series
- MIM150N
- MIM200N
- MIM260N
- MIM320N
- MIM120
- MIM250



Applications:  
Foodservice/Hospitality/  
Entertainment/Healthcare/Beverage Service

## (Modular Ice Machines)

- MIM452
- MIM600
- MIM1000
- MIM360N
- MIM370N
- MIM500N
- MIM650N
- MIM1000N



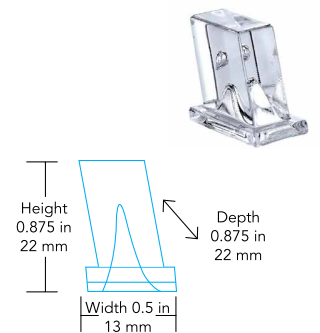
Applications:  
Foodservice/Hospitality/Convenience Store/  
Entertainment/Healthcare/Beverage Service



## Half Dice Cube - hard, half dice shape

- MIM85H
- MIM125H
- MIM265H
- MIM150NH
- MIM200NH
- MIM260NH

- MIM320NH
- MIM360NH
- MIM370NH
- MIM500NH
- MIM650NH
- MIM1000NH

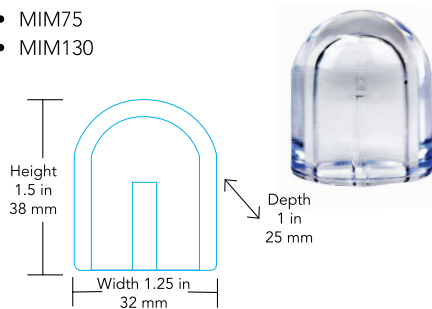


Applications:  
Foodservice/Hospitality/Convenience Store/Entertainment/  
Healthcare/Beverage Service



## Bullet Cube - large, hard, bullet shape

- MIM75
- MIM130

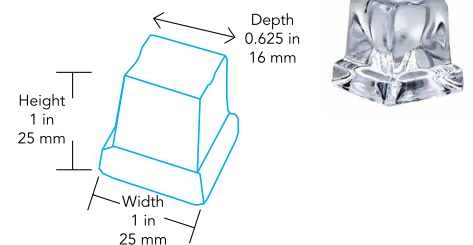


Applications:  
Foodservice/Hospitality/  
Entertainment/Beverage Service



## Square Cube - hard, solid, square shape

- MIM100

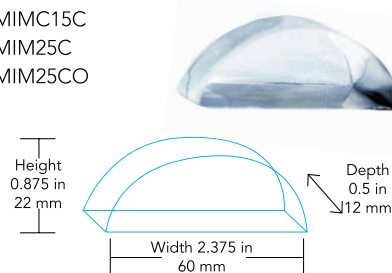


Applications:  
Foodservice/Hospitality/  
Entertainment/Beverage Service



## Crescent Cube - hard, crescent shape

- MIMC15C
- MIM25C
- MIM25CO

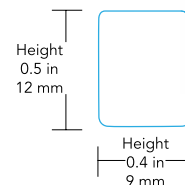


Applications:  
Foodservice/Hospitality/Residential/Office/Retail



## Nugget Ice Cube - chewable, soft, square shape

- MAXNG30



Applications:  
Residential/Office/Retail



 **MAXX ICE**

## SELF-CONTAINED & MODULAR ICE MACHINES

Maxx Ice units are engineered with a vertical evaporator you can depend on for reliable ice production and are constructed of durable stainless steel for foodservice applications.

# SELF-CONTAINED ICE MACHINES



**MIM50/MIM50P**  
14.6"W x 25"D x 33.3"H

Indoor/Premium Indoor Ice Machine; stainless steel door, black cabinet



**MIM50V**  
14.6"W x 23.4"D x 33.3"H

Indoor Ice Machine; black door, black cabinet



**MIM50-O**  
14.6"W x 25"D x 33.3"H

Indoor/Outdoor Ice Machine; stainless steel exterior



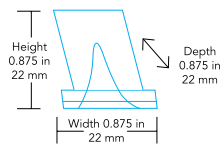
**MIM50P-O**  
14.6"W x 25"D x 33.3"H

Premium Outdoor Ice Machine; stainless steel exterior



**MIM50P-ADA**  
14.6"W x 24.3"D x 31.9"H

Premium Indoor Ice Machine - ADA Compliant; stainless steel door, black cabinet



Full Dice Cube

## MIM50/MIM50P/MIM50V/MIM50-O/MIM50P-O Features:

- Ideal for residential and commercial applications
- Solid state controls
- Self-cleaning mode
- Air-cooled compressor
- ENERGY STAR rated

## MIM50P-ADA Features:

- 31.9" height - ideal for any freestanding or built-in ADA residential and commercial applications

MODEL #	DAILY ICE PRODUCTION (70°F AIR/50°F WATER)	AMP DRAW (MAKING/HARVESTING)	NET WEIGHT/ SHIPPING WEIGHT	REFRIGERANT AND CHARGE SIZE	ELECTRICAL
MIM50	60 lbs (27.2 kg)	3A/3.6A	84 lbs (38 kg) 93 lbs (42 kg)	R-134a 3.88 oz (110 g)	115V/60Hz/1Ph
MIM50V	50 lbs (22.7 kg)	3A/4A	84 lbs (38 kg) 93 lbs (42 kg)	R-134a 3.88 oz (110 g)	115V/60Hz/1Ph
MIM50P	65 lbs (29.5 kg)	3A/4A	92 lbs (41.7 kg) 101 lbs (45.8 kg)	R-134a 3.88 oz (110 g)	115V/60Hz/1Ph
MIM50P-O	65 lbs (29.5 kg)	3A/4A	92 lbs (41.7 kg) 101 lbs (45.8 kg)	R-134a 3.88 oz (110 g)	115V/60Hz/1Ph
MIM50-O	60 lbs (27.2 kg)	3A/4A	83 lbs (37 kg) 93 lbs (42 kg)	R-134a 3.88 oz (110 g)	115V/60Hz/1Ph
MIM50P-ADA	65 lbs (29.5 kg)	3A/4A	81 lbs (37 kg) 90 lbs (41 kg)	R-134a 3.88 oz (110 g)	115V/60Hz/1Ph





MIM75

16.7"W x 21"D x 32.7"H



MIM100/MIM130

22"W x 21"D x 32.7"H

Storage capacity:

- MIM75: 25 lbs (11 kg)
- MIM100/MIM130: 35 lbs (15.9 kg)



MIM85H

16.7"W x 21"D x 32.7"H



MIM120/MIM125H

22"W x 21"D x 32.7"H

Storage capacity:

- MIM85H: 25 lbs (11 kg)
- MIM120/MIM125H: 35 lbs (15.9 kg)



MIM250

24"W x 24"D x 38.6"H

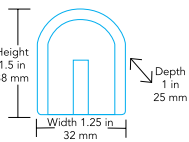


MIM265H

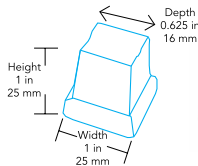
24"W x 24"D x 38.6"H

Storage capacity:

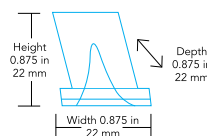
- ALL MODELS: 75 lbs (34 kg)



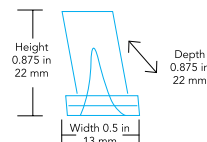
Bullet Cube



Square Cube



Full Dice Cube



Half Dice Cube

All Models Feature:

- Exterior is constructed of stainless steel and black trim
- Front breathing design
- Air-cooled compressor
- Indoor Ice Machine; stainless steel exterior, black door & trim

MODEL #	ICE TYPE	DAILY ICE PRODUCTION (70°F AIR/50°F WATER)	AMP DRAW (NOMINAL/MAX)	NET WEIGHT/ SHIPPING WEIGHT	REFRIGERANT AND CHARGE SIZE	ELECTRICAL
MIM75	Bullet	75 lbs (34 kg)	6.7A/11.2A	93 lbs (42 kg) 104 lbs (47 kg)	R-134a 6.35 oz (180 g)	115V/60Hz/1Ph
MIM100	Square	110 lbs (50 kg)	7.3A/11.7A	106 lbs (48 kg) 125 lbs (57 kg)	R-134a 9.17oz (260 g)	115V/60Hz/1Ph
MIM130	Bullet	130 lbs (59 kg)	7.5A/11.8A	106 lbs (48 kg) 129 lbs (58.5 kg)	R-134a 9.17 oz (260 g)	115V/60Hz/1Ph
MIM120	Full Dice	120 lbs (54.4 kg)	7.5A/11.8A	110 lbs (50 kg) 129 lbs (58.5 kg)	R-134a 8.47oz (240 g)	115V/60Hz/1Ph
MIM85H	Half Dice	88 lbs (40 kg)	3.8A/4.7A	93 lbs (42 kg) 104 lbs (47 kg)	R-134a 4.66 oz (132 g)	115V/60Hz/1Ph
MIM125H	Half Dice	125 lbs (56.7 kg)	7.5A/11.8A	110 lbs (50 kg) 129 lbs (58.5 kg)	R-134a 8.47oz (240 g)	115V/60Hz/1Ph
MIM250	Full Dice	260 lbs (118 kg)	9.2A/12A	144 lbs (65 kg) 160 lbs (72.5 kg)	R-134a 22.9 oz (649 g)	115V/60Hz/1Ph
MIM265H	Half Dice	265 lbs (120 kg)	9.2A/12A	144 lbs (65 kg) 160 lbs (72.5 kg)	R-134a 22.9 oz (649 g)	115V/60Hz/1Ph

# MODULAR ICE MACHINES



MIM452  
30"W x 24"D x 21"H

- ENERGY STAR rated

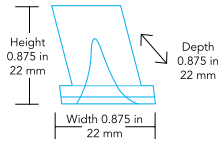


MIM600  
30"W x 24"D x 21"H



MIM1000  
30"W x 24"D x 26.63"H

*\*Models Shown on a MIB400 storage bin - sold separately*



Full Dice Cube

## All Models Feature:

- 30" models can be stacked with addition of an adapter
- Automatic cleaning cycle and bin overflow prevention
- Compatible ice storage bin sold separately
- Modular Ice Machine; stainless steel exterior
- Exterior is constructed of stainless steel

MODEL #	ICE TYPE	DAILY ICE PRODUCTION (70°F AIR/50°F WATER)	AMP DRAW (NOMINAL/MAX)	NET WEIGHT/ SHIPPING WEIGHT	REFRIGERANT AND CHARGE SIZE	ELECTRICAL
MIM452	Full Dice	460 lbs (209 kg)	12.4A/15.3A	130 lbs (59 kg) 148 lbs (67 kg)	R-404a 24.5 oz (659 g)	115V/60Hz/1Ph
MIM600	Full Dice	602 lbs (275 kg)	7.60A/9.85A	110 lbs (50 kg) 129 lbs (58.5 kg)	R-404a 45.8 oz (1298 g)	230V/60Hz/1Ph
MIM1000	Full Dice	1000 lbs (454 kg)	9.2A/11.3A	194 lbs (88 kg) 208 lbs (94 kg)	R-404a 57.9 oz (1641 g)	230V/60Hz/1Ph





 **MAXX ICE**

**INTELLIGENT SERIES**  
**SELF-CONTAINED**  
**& MODULAR ICE MACHINES**



Experience Intelligent Series Ice Machines by Maxx Ice, innovation with you in mind. Intelligent Series Ice Machines are designed to consume up to 40% less water than similar competitor units and produce ice up to 20% faster. These are available in both self-contained and modular units producing full dice and half dice cubes.

# INTELLIGENT SERIES SELF-CONTAINED ICE MACHINES



MIM150N/MIM150NH  
24"W x 24"D x 39"H



MIM200N/MIM200NH  
24"W x 24"D x 39"H



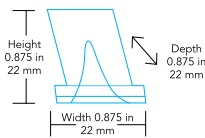
MIM260N/MIM260NH  
24"W x 24"D x 39"H



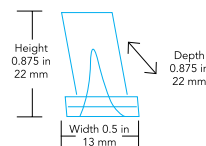
MIM320N/MIM320NH  
30"W x 28"D x 39"H

- ENERGY STAR rated

All Intelligent Series Ice Machines are designed to consume up to 40% less water than similar competitor units and produce ice up to 20% faster.



Full Dice Cube



Half Dice Cube

## All Models Feature:

- Storage capacity: 75 lbs (34 kg)
- Antimicrobial agent within storage bin liner for improved sanitation
- Air-cooled compressor
- Programmable, user-friendly digital controls
- Automatic cleaning cycle and bin overflow prevention
- Self-contained Ice Machine; stainless steel exterior, black trim

MODEL #	ICE TYPE	DAILY ICE PRODUCTION (70°F AIR/50°F WATER)	AMP DRAW (NOMINAL/MAX)	NET WEIGHT/ SHIPPING WEIGHT	REFRIGERANT AND CHARGE SIZE	ELECTRICAL
MIM150N	Full Dice	152 lbs (69 kg)	5.2A/6.4A	139 lbs (63 kg) 155 lbs (70.5 kg)	R-134a 7 oz (198 g)	115V/60Hz/1Ph
MIM150NH	Half Dice	152 lbs (69 kg)	5.2A/6.4A	139 lbs (63 kg) 155 lbs (70.5 kg)	R-134a 7 oz (198 g)	115V/60Hz/1Ph
MIM200N	Full Dice	199 lbs (90 kg)	7.1A/7.4A	144 lbs (65 kg) 160 lbs (72.5 kg)	R-404a 8.11 oz (230 g)	115V/60Hz/1Ph
MIM200NH	Half Dice	199 lbs (90 kg)	7.1A/7.4A	144 lbs (65 kg) 160 lbs (72.5 kg)	R-404a 8.11 oz (230 g)	115V/60Hz/1Ph
MIM260N	Full Dice	265 lbs (120 kg)	7.1A/9.8A	144 lbs (65 kg) 160 lbs (72.5 kg)	R-404a 10.6 oz (300 g)	115V/60Hz/1Ph
MIM260NH	Half Dice	265 lbs (120 kg)	7.1A/9.8A	144 lbs (65 kg) 160 lbs (72.5 kg)	R-404a 10.6 oz (300 g)	115V/60Hz/1Ph
MIM320N	Full Dice	328 lbs (148 kg)	8A/9A	148 lbs (67 kg) 164 lbs (74.4 kg)	R-404a 12.5 oz (354 g)	115V/60Hz/1Ph
MIM320NH	Half Dice	328 lbs (148 kg)	8A/9A	148 lbs (67 kg) 164 lbs (74.4 kg)	R-404a 12.5 oz (354 g)	115V/60Hz/1Ph





MIM360N\*/MIM360NH\*  
22"W x 24.6"D x 21"H

- Ideal for drink dispensers
- ENERGY STAR rated



MIM370N\*/MIM370NH\*  
30"W x 24.6"D x 21"H

- ENERGY STAR rated



MIM500N\*/MIM500NH\*  
30"W x 24.6"D x 21"H

- ENERGY STAR rated



MIM650N\*\*/MIM650NH\*\*  
30"W x 24.6"D x 21"H

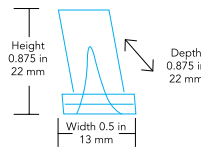
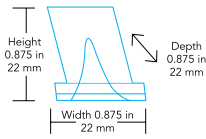


MIM1000N\*\*/MIM1000NH\*\*  
30"W x 24.6"D x 26.7"H

\*Models Shown on MIB310N/470N storage bin - sold separately

\*\*Models Shown on MIB470N storage bin - sold separately

All Intelligent Series Ice Machines are designed to consume up to 40% less water than similar competitor units and produce ice up to 20% faster.



### All Models Feature:

- Can be stacked with the addition of an adapter plate
- Hinged front panel allows for easy access and service
- User friendly, exterior diagnostic digital controller display
- Compatible ice storage bins MIB310N, MIB470N or MIB580N sold separately
- Modular Ice Machine; stainless steel exterior, black trim

MODEL #	ICE TYPE	DAILY ICE PRODUCTION (70°F AIR/50°F WATER)	AMP DRAW (NOMINAL/MAX)	NET WEIGHT/ SHIPPING WEIGHT	REFRIGERANT AND CHARGE SIZE	ELECTRICAL
MIM360N	Full Dice	373 lbs (169 kg)	7.1A/9.8A	144 lbs (65 kg) 160 lbs (72.5 kg)	R-404a 10.6 oz (300 g)	115V/60Hz/1Ph
MIM360NH	Half Dice	361 lbs (120 kg)	7.1A/9.8A	144 lbs (65 kg) 160 lbs (72.5 kg)	R-404a 10.6 oz (300 g)	115V/60Hz/1Ph
MIM370N	Full Dice	373 lbs (169 kg)	7.5A/10.5A	93 lbs (42 kg) 111.5 lbs (50.5 kg)	R-404a 24.5 oz (695 g)	115V/60Hz/1Ph
MIM370NH	Half Dice	361 lbs (164 kg)	7.5A/10.5A	93 lbs (42 kg) 111.5 lbs (50.5 kg)	R-404a 24.5 oz (695 g)	115V/60Hz/1Ph
MIM500N	Full Dice	521 lbs (236 kg)	7A/9.3A	130 lbs (59 kg) 148 lbs (67 kg)	R-404a 24.5 oz (695 g)	115V/60Hz/1Ph
MIM500NH	Half Dice	513 lbs (233 kg)	7A/9.3A	130 lbs (59 kg) 148 lbs (67 kg)	R-404a 24.5 oz (695 g)	115V/60Hz/1Ph
MIM650N	Full Dice	650 lbs (295 kg)	7.1A/8A	155 lbs (70 kg) 165 lbs (75 kg)	R-404a 43 oz (1219 g)	230V/60Hz/1Ph
MIM650NH	Half Dice	645 lbs (292 kg)	7.1A/8A	155 lbs (70 kg) 165 lbs (75 kg)	R-404a 43 oz (1219 g)	230V/60Hz/1Ph
MIM1000N	Full Dice	937 lbs (425 kg)	10A/11.1A	194 lbs (88 kg) 208 lbs (94 kg)	R-404a 57.14 oz (1620 g)	230V/60Hz/1Ph
MIM1000NH	Half Dice	1005 lbs (456 kg)	10A/11.1A	194 lbs (88 kg) 208 lbs (94 kg)	R-404a 57.14 oz (1620 g)	230V/60Hz/1Ph





## **MAXX ICE** V-Series

### ECONOMICAL COMMERCIAL ICE MACHINES & DISPENSERS

Meet the ice demands of your commercial establishment with the Maxx Ice V-Series Self-Contained Ice Machine.

This economical air-cooled undercounter ice maker produces up to 115 pounds of full-dice ice cubes daily. The self-contained storage bin holds up to 35 pounds of ice and has a polyethylene storage bin interior liner for improved sanitation. Constructed of durable stainless steel with a black door and black plastic trim, this indoor ice machine will complement any space.



**MVI75F**  
16.7"W x 21"D x 32.7"H

Storage capacity:

- MVI75F: 25 lbs (11 kg)



**MVI115F**  
22"W x 21"D x 32.7"H

Storage capacity:

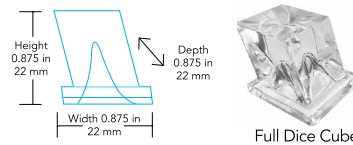
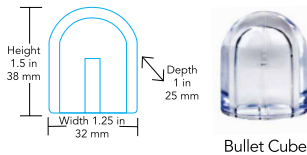
- MVI115F: 35 lbs (15.9 kg)



**MVI200F**  
24"W x 24"D x 39"H

Storage capacity:

- MVI200F: 75 lbs (34 kg)



**MVI75F / MVI115F Models Feature:**

- Exterior is constructed of stainless steel and black trim
- Front breathing design
- Air-cooled compressor
- Programmable, solid state, digital electronic control system
- Built-in self cleaning mode
- Automatic shut off / overflow protections
- Includes scoop
- Polyethylene storage bin liner for improved sanitation

**MVI200F Model Features:**

- Stainless steel, black trim exterior
- Air-cooled compressor
- Programmable, user-friendly digital controls
- Digital screen displays ice machine status
- Automatic cleaning cycle and bin overflow prevention
- Internal blue LED light
- 6" adjustable leveling legs
- Includes ice scoop with internal scoop holder

MODEL #	ICE TYPE	DAILY ICE PRODUCTION (70°F AIR/50°F WATER)	AMP DRAW (NOMINAL/MAX)	NET WEIGHT/ SHIPPING WEIGHT	REFRIGERANT AND CHARGE SIZE	ELECTRICAL
MVI75F	Bullet	75 lbs (34 kg)	6.7A/11.2A	93 lbs (42 kg) 104 lbs (47 kg)	R-134a 4.66 oz (132 g)	120V/60Hz/1Ph
MVI115F	Full Dice	120 lbs (54.4 kg)	7.5A/11.8A	110 lbs (50 kg) 129 lbs (58.5 kg)	R-134a 8.47oz (240 g)	120V/60Hz/1Ph
MVI200F	Full Dice	199 lbs (90 kg)	7A/8.3A	141 lbs (64 kg) 157 lbs (71.5 kg)	R-404a 8.11 oz (230 g)	120V/60Hz/1Ph



# MODULAR ICE MACHINES



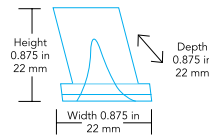
MVI350FB\*  
22"W x 24.6"D x 21"H

\*Model Shown on MIB310N storage bin - sold separately



MVI490FB\*\*  
30"W x 24.6"D x 21"H

\*\*Model Shown on MIB470N storage bin - sold separately



Full Dice Cube

## All Models Feature:

- Ideal for drink dispensers
- Air-cooled compressor
- Programmable, user-friendly digital controls
- Digital screen displays ice machine status
- Automatic cleaning cycle and bin overflow prevention
- Power for unit also illuminates the internal LED light in storage bin (bin sold separately)
- Hinged front panel for easy cleaning and service
- Units are stackable for increased ice production (optional adapter is required)
- Compatible ice storage bins MIB310N, MIB470N or MIB580N sold separately
- Modular Ice Machine; stainless steel exterior, black trim

MODEL #	ICE TYPE	DAILY ICE PRODUCTION (70°F AIR/50°F WATER)	AMP DRAW (NOMINAL/MAX)	NET WEIGHT/ SHIPPING WEIGHT	REFRIGERANT AND CHARGE SIZE	ELECTRICAL
MVI350FB	Full Dice	373 lbs (169 kg)	7.5A/10.5A	144 lbs (65 kg) 160 lbs (72.5 kg)	R-404a 24.5 oz (695 g)	120V/60Hz/1Ph
MVI490FB	Full Dice	521 lbs (236 kg)	7A/9.3A	130 lbs (59 kg) 148 lbs (67 kg)	R-404a 24.5 oz (695 g)	120V/60Hz/1Ph





## **MAXX ICE**

### RESIDENTIAL/COMMERCIAL ICE MACHINES & DISPENSERS

Maxx Ice Residential/Commercial Ice Machines produce individual crescent cubes up to 25 lbs per day or nugget ice up to 33 lbs per day.

MIM25 Series are available as indoor or outdoor models with stainless steel or black exterior finishes, making them perfect for various freestanding or built-in applications, while the MIMC15C is ideal for everyday use.

The popular nugget ice dispenser produces ice customers crave in a sleek compact design making a perfect addition to any countertop.

# RESIDENTIAL/COMMERCIAL ICE MACHINES & DISPENSERS



MIM25C

14.6"W x 18.8"D x 33.6"H

MIM25CO

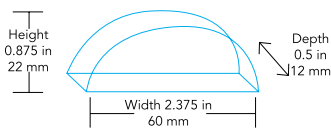
14.6"W x 18.8"D x 33.6"H

MIMC15C

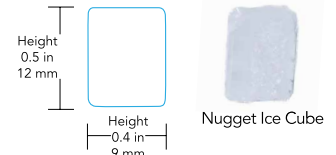
14.8"W x 18.5"D x 24.8"H

MAXNG30

10.5"W x 16.5"D x 16.5"H



Crescent Cube



Nugget Ice Cube

MIM25C/MIMC15C - Stainless steel door, black cabinet

MIM25CO - Stainless steel cabinet and door

- Storage capacity: 22 lbs (11 kg)
- Shallow 18.8" depth allows for installation in narrow spaces and standard depth applications
- Top handle stainless steel door is field-reversible for left or right door operation
- Storage capacity: 12 lbs (5.4 kg)
- Compact design with 24.8" height allows for under counter installation and is ADA compliant
- Side handle stainless steel door is field-reversible for left or right door operation
- ADA Compliant, Stainless steel door, black cabinet

All Models Feature:

- Automatic shut-off when bin is full
- Door-close assist feature forms strong seal when door is closed, preventing accidental opening
- Designed for free-standing or built-in applications

- Storage capacity: 3 lbs (1.5 kg)
- Sleek, compact design fits easily on countertops
- Equipped with an air-cooled compressor
- Easy to use electronic controls make it simple to dispense ice with the push of a button and turn ice maker on and off
- Stainless steel finish

MODEL #	DAILY ICE PRODUCTION (70°F AIR/50°F WATER)	AMP DRAW (MAKING/HARVESTING)	NET WEIGHT/ SHIPPING WEIGHT	REFRIGERANT AND CHARGE SIZE	ELECTRICAL
MIM25C	25 lbs (11.3 kg)	1.9A/1.5A	62 lbs (28 kg) 75 lbs (34.2 kg)	R-600a 3.88 oz (110 g)	115V/60Hz/1Ph
MIM25CO	25 lbs (11.3 kg)	1.9A/1.5A	64 lbs (29 kg) 77 lbs (35.2 kg)	R-600a 3.88 oz (110 g)	115V/60Hz/1Ph
MIMC15C	15 lbs (11.4 kg)	1.2A/2.7A	50 lbs (23 kg) 55 lbs (27 kg)	R-600a 3.88 oz (110 g)	115V/60Hz/1Ph
MAXNG30	33 lbs (15 kg)	2.6A	35 lbs (15.9 kg) 39 lbs (17.7 kg)	R-134a 3.88 oz (110 g)	120V/180W





## **MAXX ICE**

### ICE STORAGE BINS

Ice Storage Bins are constructed of stainless steel and are compatible with both 22" and 30" Modular Ice Machines.

# ICE STORAGE BINS



**MB310N**  
22"W x 34"D x 41.4"H



**MIB470N**  
30"W x 34"D x 41.4"H



**MIB580N**  
30"W x 34"D x 50"H



**MIB400**  
30"W x 34"D x 37"H



**MIB580**  
30"W x 34"D x 50"H

## MB310N/MIB470N/MIB580N Features:

- Exterior is constructed of durable stainless steel with black trim door
- LED illuminated bin interior when access door is open (powered by ice machine head)
- Polyethylene bin liner for improved sanitation
- Constructed of non-CFC polyurethane foamed in-place insulation
- 3/4" gravity drain is required
- Ice Storage Bin; stainless steel exterior, black trim

## MIB400/MIB580 Features:

- Bin door and exterior are constructed of durable stainless steel
- Polyethylene bin liner for improved sanitation
- Constructed of non-CFC polyurethane foamed in-place insulation
- 3/4" gravity drain is required
- Ice Storage Bin; stainless steel exterior

MODEL #	MAXIMUM ICE STORAGE CAPACITY	AHRI CAPACITY	SHIPPING WEIGHT	DRAIN LINE CONNECTION
MIB310N <i>Formerly MIB280N</i>	310 lbs (141 kg)	246 lbs (112 kg)	99.5 lbs (45 kg)	3/4"
MIB470N <i>Formerly MIB430N</i>	470 lbs (213 kg)	376 lbs (171 kg)	117 lbs (53 kg)	3/4"
MIB580N	580 lbs (263 kg)	464 lbs (210 kg)	164 lbs (75 kg)	3/4"
MIB400	400 lbs (213 kg)	320 lbs (145 kg)	112 lbs (50.8 kg)	3/4"
MIB580	580 lbs (263 kg)	464 lbs (210 kg)	164 lbs (75 kg)	3/4"



MODULAR ICE MACHINE MODEL #	MIB310N	MIB470N	MIB580N	MIB400	MIB580
MIM452		•	•	•	•
MIM600		•	•	•	•
MIM1000		•	•	•	•
MIM360N	•				
MIM360NH	•				
MIM370N		•	•	•	•
MIM370NH		•	•	•	•
MIM500N		•	•	•	•
MIM500NH		•	•	•	•
MIM650N		•	•	•	•
MIM650NH		•	•	•	•
MIM1000N		•	•	•	•
MIM1000NH		•	•	•	•
MVI350FB	•				
MVI490FB		•			

*\*With adapter kit, sold separately*

# PREMIUM WATER FILTERS



**TLC-107096**  
4.125"W x 3.75"D x 18.5"H  
Single Head with Pressure Gauge



**TLC-107097**  
6"W x 5.25"D x 18.5"H  
Double Head with Pressure Gauge



**TLC-3200S**  
3.5"W x 3.5"D x 15.5"H  
Replacement Cartridge

## All Models Feature:

- NSF Approved, tested to ANSI and NSF 42
- Compatible with all Maxx Ice ice machines
- Provides ultra-fine 0.5 micron of filtration, inhibits unwanted bacteria from entering the water system for improved sanitation, taste and eliminate odors
- Gradient density carbon block filter is effective in contaminant reduction
- 95% average Chlorine reduction when using a premium filter eliminating odors and improves taste of ice as well as clarity
- Ice machine life is extended when a premium filter is installed and when the cartridge is changed every 6 months or when PSI is below 24
- Scale Inhibitor, SLO PHOS slow dissolving phosphate additive prevents scaling and scale build up
- Premium water filters help reduce sediments such as sand, rust and dirt from entering machine to ensure optimum operation, reducing daily operation costs and maintenance expenses
- Available in single and double head, with pressure gauge and replacement cartridges
- Sturdy manifold is supplied with a water pressure gauge with a tattle tale needle to track the water pressure highs and lows
- Maximum flow rate for single cartridge is 2.1GPM and filter life of 27,000 Gallons or 102,206 Liters
- Replacement cartridges can be "changed out" without turning OFF the ice machine

MODEL #	MAXIMUM FLOW RATE	PRESSURE	TEMPERATURE	FILTER LIFE (6 MOS)	MICRON RATING	SCALE INHIBITOR	IMPROVES ICE TASTE & CLARITY	REDUCES SEDIMENT	UNIT WEIGHT
TLC-107096	2.1 GPM	25-125 psi (1.7 - 8.6 bar)	35°F to 100°F (1.7°C to 38°C)	27,000 Gal (102,206 L)	0.5	Yes	Yes	Yes	2.75 lb (1.24 kg)
TLC-107097	4.2 GPM	25-125 psi (1.7 - 8.6 bar)	35°F to 100°F (1.7°C to 38°C)	54,000 Gal (204,412 L)	0.5	Yes	Yes	Yes	6.25 lb (2.83 kg)
TLC-3200S	2.1 GPM	25-125 psi (1.7 - 8.6 bar)	35°F to 100°F (1.7°C to 38°C)	27,000 Gal (102,206 L)	0.5	Yes	Yes	Yes	2.5 lb (1.13 kg)





**TLC-2200S-STRK**  
3.83"W x 4.06"D x 15.3"H  
Water Filter Starter Kit (Manifold + 1 Cartridge)



**TLC-2200S**  
3.57"W x 3.57"D x 12.32"H  
Water Filter Cartridge



**TLC-2200S-DBLP**  
Water Filter Cartridge - 2 Pack

All Models Feature:

- NSF Approved, tested to ANSI and NSF 42
- Compatible with all Maxx Ice ice machines
- Provides ultra-fine 0.5 micron of filtration, inhibits unwanted bacteria from entering the water system for improved sanitation
- Gradient density carbon block filter is effective in contaminant reduction
- Ice machine life is extended when a value filter is installed and when the cartridge is changed every 6 months or when PSI is below 25
- Scale Inhibitor, SLO PHOS slow dissolving phosphate additive prevents scaling and scale build up
- Value water filters help reduce sediments such as sand, rust and dirt from entering machine to ensure optimum operation, reducing daily operation costs and maintenance expenses
- Sturdy manifold is supplied with a water pressure gauge with a tattle tale needle to track the water pressure highs and lows
- Maximum flow rate for single cartridge is 1.67GPM and filter life of 20,000 Gallons or 75,708 Liters
- Replacement cartridges can be "changed out" without turning OFF the ice machine

MODEL #	MAXIMUM FLOW RATE	PRESSURE	TEMPERATURE	FILTER LIFE (6 MOS)	MICRON RATING	SCALE INHIBITOR	IMPROVES ICE TASTE & CLARITY	REDUCES SEDIMENT	UNIT WEIGHT
TLC-2200S-STRK	1.67 GPM	25-125 psi (1.7 - 8.6 bar)	35°F to 100°F (1.7°C to 38°C)	20,000 Gal (75,708 L)	0.5	Yes	Yes	Yes	2.75 lb (1.24 kg)
TLC-2200S	1.67 GPM	25-125 psi (1.7 - 8.6 bar)	35°F to 100°F (1.7°C to 38°C)	20,000 Gal (75,708 L)	0.5	Yes	Yes	Yes	2.5 lb (1.24 kg)



## MAXX ICE

### COMPACT REFRIGERATION

Designed for both residential & commercial applications. Maxx Ice Compact Refrigerators are ideal for outdoor and indoor entertainment.

Units can be built-in or free-standing and are designed to weather the elements when necessary while providing years of enjoyment with easy maintenance.



**MCR3U**  
14.5"W x 23"D x 33.5"H



**MCR3U-O**  
14.5"W x 23"D x 33.5"H



**MCR5U-O**  
23.625"W x 23"D x 33.5"H

MCR3U - Indoor Refrigerator; stainless steel door, black cabinet

MCR3U-O - Outdoor Refrigerator; stainless steel exterior

- Storage capacity of 3 cubic ft. (85 L)

Indoor/Outdoor Refrigerator; stainless steel exterior

- Storage capacity of 5 cubic ft. (142 L)

All Models Feature:

- Ideal for residential and commercial applications
- Stainless steel door with lock and key set
- Energy efficient LED interior lighting
- Digital controls maintain optimum temperature
- Free standing or built-in installation

MODEL #	HOLDING TEMPERATURE RANGE	AMP DRAW	DOORS/SHELVES	UNIT WEIGHT	REFRIGERANT AND CHARGE SIZE	ELECTRICAL
MCR3U	35°F to 40°F (1°C to 5°C)	2.0A	1/4	77 lbs (35 kg)	R-134a 2.3 oz (65.2 g)	115V/60Hz/1Ph
MCR3U-O	35°F to 40°F (1°C to 5°C)	2.0A	1/4	67 lbs (30 kg)	R-134a 2.2 oz (65.2 g)	115V/60Hz/1Ph
MCR5U-O	35°F to 40°F (1°C to 5°C)	1.8A	1/3	93 lbs (42.5 kg)	R-134a 2.2 oz (65.2 g)	115V/60Hz/1Ph



## **MAXX ICE**

### WINE COOLERS & BEVERAGE CENTERS

Maxx Ice Wine Coolers provide plenty of storage and accurate temperature to ensure your beverages taste good.

Our Beverage Centers are the perfect addition to any residential bar or kitchen application and can be installed outdoors.



**MCWC28**  
14.5"W x 23"D x 33.5"H  
Indoor Wine Cooler



**MCBC3U**  
14.5"W x 23"D x 33.5"H  
Indoor Beverage Center

All Models Feature:

- Designed for residential and commercial applications
- Storage capacity of 3 cubic ft. (85 L)
- Energy efficient LED interior lighting
- Electronic control panel with LCD digital display
- Multi-pane glass door with stainless steel handle
- Black painted steel exterior

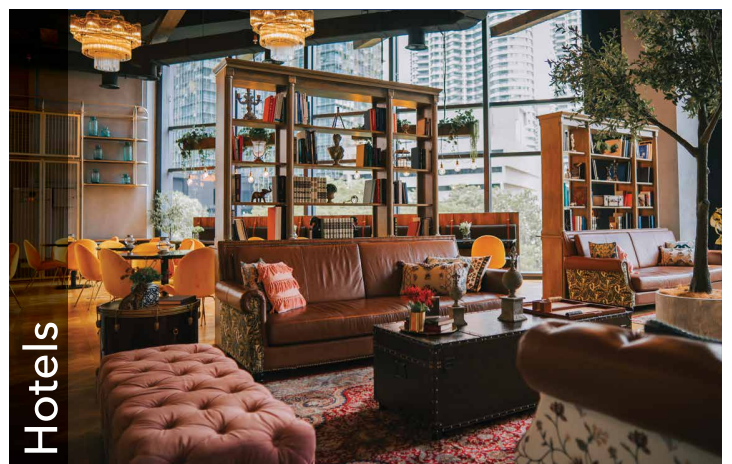
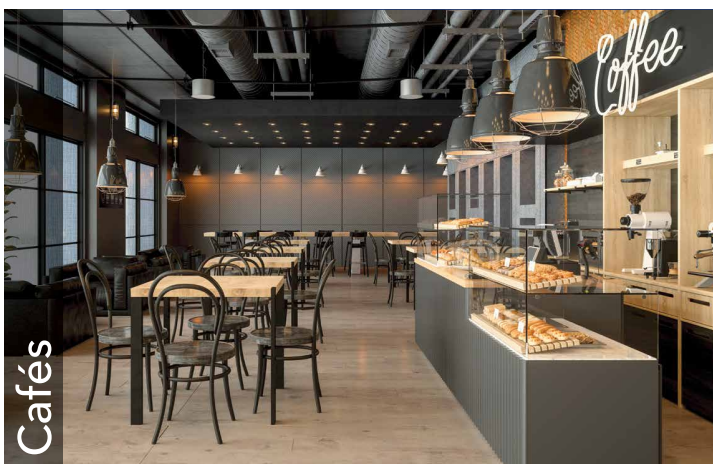
MODEL #	HOLDING TEMPERATURE RANGE	AMP DRAW	BOTTLE RACKS/ BOTTLE CAPACITY	UNIT WEIGHT	REFRIGERANT AND CHARGE SIZE	ELECTRICAL
MCWC28	35°F to 40°F (1°C to 5°C)	2.0A	6/28	76 lbs (34 kg)	R-134a 2.3 oz (65.2 g)	115V/60Hz/1Ph
MCBC3U	35°F to 40°F (1°C to 5°C)	2.0A	1/4	77 lbs (35 kg)	R-134a 2.3 oz (65.2 g)	115V/60Hz/1Ph



# COOL SOLUTIONS FOR EVERY APPLICATION



The Legacy Companies' decades of commercial and restaurant-style ice machine innovations are now offered as Maxx Ice V-Series with different ice type options, producing restaurant-quality clear ice for all commercial applications.



## По вопросам продаж и поддержки обращайтесь:

Алматы (727)345-47-04  
Ангарск (3955)60-70-56  
Архангельск (8182)63-90-72  
Астрахань (8512)99-46-04  
Барнаул (3852)73-04-60  
Белгород (4722)40-23-64  
Благовещенск (4162)22-76-07  
Брянск (4832)59-03-52  
Владивосток (423)249-28-31  
Владикавказ (8672)28-90-48  
Владимир (4922)49-43-18  
Волгоград (844)278-03-48  
Вологда (8172)26-41-59  
Воронеж (473)204-51-73  
Екатеринбург (343)384-55-89

Иваново (4932)77-34-06  
Ижевск (3412)26-03-58  
Иркутск (395)279-98-46  
Казань (843)206-01-48  
Калининград (4012)72-03-81  
Калуга (4842)92-23-67  
Кемерово (3842)65-04-62  
Киров (8332)68-02-04  
Коломна (4966)23-41-49  
Кострома (4942)77-07-48  
Краснодар (861)203-40-90  
Красноярск (391)204-63-61  
Курск (4712)77-13-04  
Курган (3522)50-90-47  
Липецк (4742)52-20-81

Магнитогорск (3519)55-03-13  
Москва (495)268-04-70  
Мурманск (8152)59-64-93  
Набережные Челны (8552)20-53-41  
Нижний Новгород (831)429-08-12  
Новокузнецк (3843)20-46-81  
Ноябрьск (3496)41-32-12  
Новосибирск (383)227-86-73  
Омск (3812)21-46-40  
Орел (4862)44-53-42  
Оренбург (3532)37-68-04  
Пенза (8412)22-31-16  
Петрозаводск (8142)55-98-37  
Псков (8112)59-10-37  
Пермь (342)205-81-47

Ростов-на-Дону (863)308-18-15  
Рязань (4912)46-61-64  
Самара (846)206-03-16  
Санкт-Петербург (812)309-46-40  
Саратов (845)249-38-78  
Севастополь (8692)22-31-93  
Саранск (8342)22-96-24  
Симферополь (3652)67-13-56  
Смоленск (4812)29-41-54  
Сочи (862)225-72-31  
Ставрополь (8652)20-65-13  
Сургут (3462)77-98-35  
Сыктывкар (8212)25-95-17  
Тамбов (4752)50-40-97  
Тверь (4822)63-31-35

Тольятти (8482)63-91-07  
Томск (3822)98-41-53  
Тула (4872)33-79-87  
Тюмень (3452)66-21-18  
Ульяновск (8422)24-23-59  
Улан-Удэ (3012)59-97-51  
Уфа (347)229-48-12  
Хабаровск (4212)92-98-04  
Чебоксары (8352)28-53-07  
Челябинск (351)202-03-61  
Череповец (8202)49-02-64  
Чита (3022)38-34-83  
Якутск (4112)23-90-97  
Ярославль (4852)69-52-93

**Россия** +7(495)268-04-70

**Казахстан** +7(727)345-47-04

**Беларусь** +(375)257-127-884

**Узбекистан** +998(71)205-18-59

**Киргизия** +996(312)96-26-47

эл.почта: [mex@nt-rt.ru](mailto:mex@nt-rt.ru) || сайт: <https://maxx-ice.nt-rt.ru/>